

JVC

SERVICE MANUAL

COMPACT COMPONENET MD SYSTEM

NX-MD1

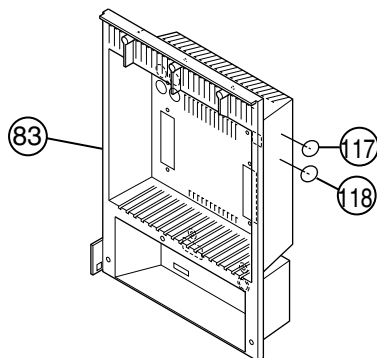
Area Suffix
UF ----- China

NX-MD1 UF is a model to which the additional version of NX-MD1.
 Therefore, This service manual is consisting of difference parts list with NX-MD1 UP only.
 For others, please refer to the service manual of NX-MD1 UP (issue No.21041).

■Parts list (General assembly)

P4-5 Block No. M1MM

△	Item	Parts name	Parts number		Q'ty
			UP version	UF version	
	102	NAME PLATE	LV30262-006A	LV32735-007A	1
	117	CCEE LABEL	-----	E409372-001	1
	118	CCIB LABEL	-----	LV41768-001A	1



Parts list (Packing)

P4-25 Block No. M3MM

△	Item	Parts name	Parts number		Q'ty
			UP version	UF version	
	P 1	PACKING CASE	LV33112-002A	LV33112-003A	1

Parts list (Accessories)

P4-25 Block No. M5MM

△	Item	Parts name	Parts number		Q'ty
			UP version	UF version	
	A 1	INST BOOK (LANGUAGE)	LVT0776-007A (KOR)	LVT0776-009A (CHI)	1
	A 2	WARRANTY CARD	BT-56010-1	BT-59011-2	1
	A 4	SERVICE NETWORK	-----	BT-59012-1	1
△	A 9	POWER CORD	VMP0121-001	QMPS160-183-JC	1



VICTOR COMPANY OF JAPAN, LIMITED
 AUDIO & COMMUNICATION BUSINESS DIVISION
 PERSONAL & MOBILE NETWORK BUSINESS UNIT. 10-1,1chome,Ohwatari-machi,Maebashi-city,371-8543,Japan